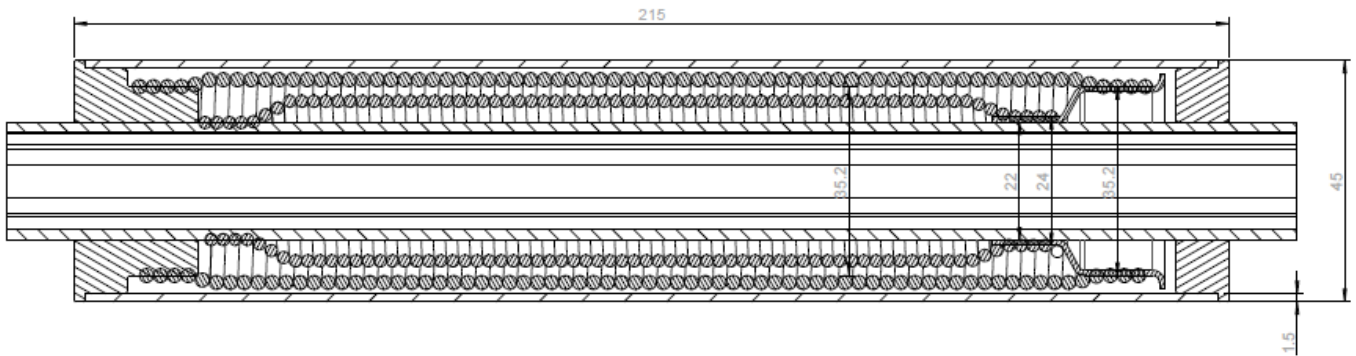


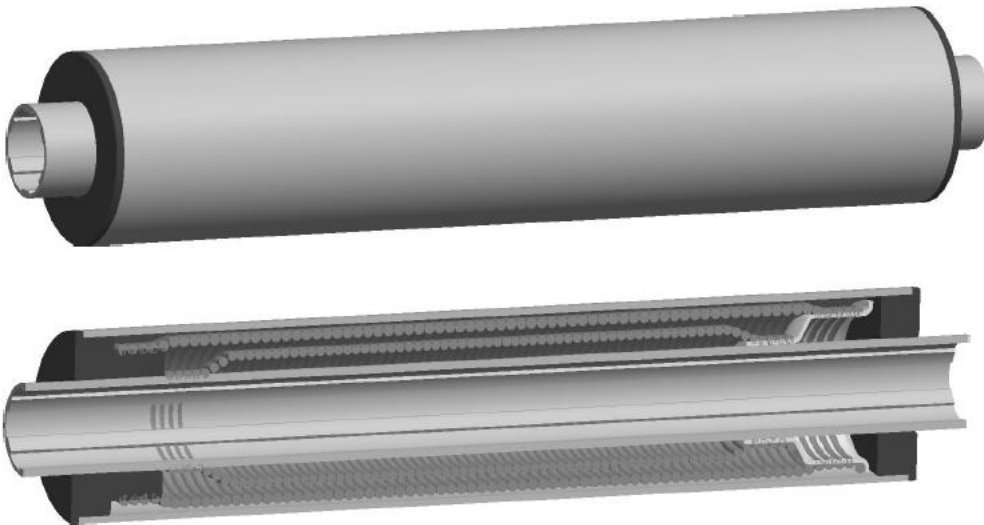
WIDMER Double Spring Rod

Maximum performance in a minimum of space



Advantages:

- ➔ Maximum number of revolutions at minimum width thanks to two superimposed springs
- ➔ Up to 40% smaller width possible compared to "normal" spring rods
- ➔ Possible diameter: 50mm / 60mm
- ➔ Adaptable to different shaped tubes



Your Contact Persons at WIDMER



Jörg Weißbrodt

Sales Director spring rods - functional roller blinds

Phone +49 (0)6251/707 90 20

E-Mail j.weissbrodt@oskar-widmer.de



Dr. Michael Müller

Managing Director

Phone +49 (0)6251/707 90 0

E-Mail m.mueller@oskar-widmer.de

Experience WIDMER spring rods in action. Also ask for:

- ➔ WIDMER functional blinds :
 - Shades
 - Projector screens
 - Protective screens

- ➔ WIDMER sun protection roller blinds:
 - Boxed blinds
 - Soft blinds
 - Skylight blinds
 - Awnings
 - Trapezoidal blinds

Oskar WIDMER GmbH
Otto-Hahn-Ring 7
64653 Lorsch
Phone +49 (0)6251/707 90 0
Telefax +49 (0)6251/707 90 11
E-Mail info@oskar-widmer.de
Internet www.oskar-widmer.com